

The Digitec Series **D3800 Panel Meters** offer many features and performance capabilities to suit a wide range of industrial applications.

The **D3820** and **D3830** are available in the ranges of 4-20mA, 0-10 VDC, or 0-5VDC. 10 VDC and 24 VDC excitation is available as an option. These controllers include a 30 point linearization capability for compensation of non-linear processes.

The **D3820** and **D3830** provide two programmable, (PEAK, VAL), reading memory.

The **D3830 Totalizer** can be used to compute a time-input product. This can be used to provide readout in totalized flow, batch or weighing operations.

The units can have up to 4 setpoint alarms assignable to Rate, Totalizer (3830), or both Rate and Totalizer.

Four front keys are easily programmed for special functions allowing quick access to alarms, view Peaks, reset totals or switch scaling from gallons to barrels.

The 3820/30 comes standard with (1) Form A relay 240 VAC @ 1A that can be used as an alarm output.

PRODUCTION RATE: Units per second/minute/hour computed and displayed in the time of one input period. Also computed in dozens, gross, or other packaging units.

ROTATION: Speed indicated as RPS, RPH, RPM, or as linear motion (feet/second, meters/hours, etc).

PUMP UP/DOWN: The alternating relay option allows the 3820 to control a Duplex pumping application. The unit has a user programmable time delay to allow a delay of both pumps coming on after a power outage, The 3820 also can provide additional low and High Alarms.

TOTALIZER: Totalizer mode displays accumulated total of units or events (ie, gallons, pounds, etc.) since power-up or last reset a low flow cutoff setting is available.

Exponent mode is available to totalize up to 999E99.

An optional Totalizer SSR 20 msec. pulse output with selectable automatic reset of total value allows batching operations.

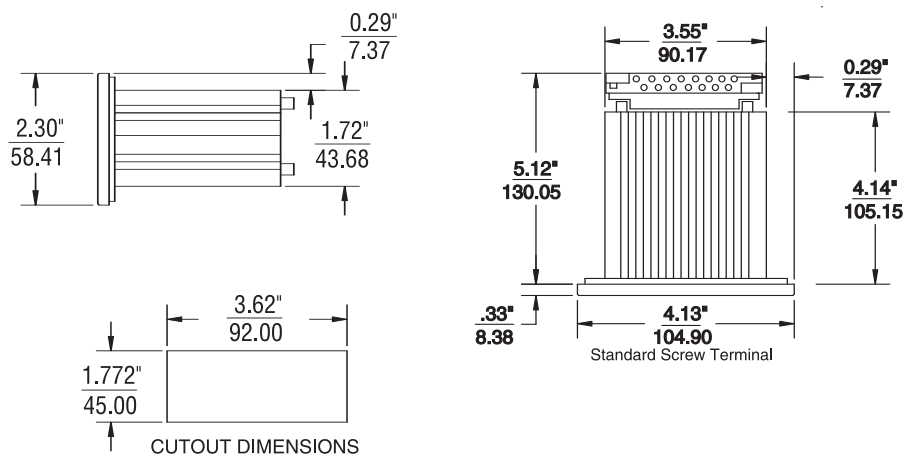
FLOW: Sensor input scaled to gallons/ minute, liters/hour, pounds/ minute, ACFM, etc.



Process Meter with Totalizer

- 6-Digit Red LED Display
- 1/8 DIN extruded aluminum case
- D3830 Totalizer Optional with a Exponent Mode
- NEMA 4X (IP65) Front Panel
- Four programmable alarm setpoints, up to 4 relay outputs
- Selectable update rate of .1, 2, 10, 20/SEC
- Four programmable function keys
- Alternating Relay Function (Alarm 1 and Alarm 2)
- Square Root, Flume, Weir readings
- 30 point linearization

\\ \\ DIMENSIONS (INCHES/MILLIMETERS)



SPECIFICATIONS

DISPLAY	6 digits, 7 segment, red LED, 0.5. high, with overflow and over-range displays.	
DISPLAY UPDATE	0.1, 2, 10, and 20 per second	
RANGE	User programmable decimal, scaling allowing a display range of -99999 to 999999.	
	Totalizers have an expanded display mode that allows a Scientific Notation mode that totals to over 1 billion.	
POWER	115 or 230 VAC	
INPUT	38x0-27 0-20mA 38x0-23 0-5 VDC 38x0-25 0-10 VDC	
TEMPERATURE RATING	Operating	32° to 131°F (0° to 55°C)
	Storage	-40° to 185°F (-40° to 85°C)
RELATIVE HUMIDITY	20 to 80%, non-condensing	
INTERNAL CLOCK	22.1184 MHz crystal oscillator. Aging rate: 5 ppm/year.	
OPTIONAL EXCITATION SUPPLY	10 VDC @ 250mA 24 VDC @ 150mA	
DISPLAY SCALING	Operator simply enters the input low and high values plus the display low and high values. The 3820 / 3830 calculates the proper scaling and offset values automatically. Decimal point: user selectable	
EXTERNAL HOLD	A contact closure will freeze the display. The unit is fully functional while contact is maintained, the display holds last value.	
MEASUREMENT	Range	-9999 to 99999 units/second.
	Accuracy	.05% ±1 digit of F.S.
TERMINATION	Screw Terminal connector	
CASE	Anodized Aluminum 1/8 DIN cutout, NEMA 4X front panel sealed gasket.	
WEIGHT	0.84 lbs.	

MODEL NUMBER >>>>>>	D38		
Basic Model			
	Basic	20	
	With Totalizer	30	
Range			
	0-5 VDC		23
	0-10 VDC		25
	0-20 mA		27
Output Options			
3 Form "C" 5 amp relays activate when high and low limits are exceeded. Permits On-off control of external circuitry, or alarm status communications with other equipment			C
1, 2, or 4-Analog output channels, 0 to 10VDC, 0 to +5VDC, ± 5VDC, 4 to 20mA. Accuracy is .35%. Output signals proportionate to meter display, with individual selection of offset and scale settings. (Includes Option P)			H
Excitation Supply 10VDC and 24VDC Isolated up to 1,500V peak from input circuits			P
RS232C serial data bi-directional communication 9600 baud			T
Solid State Relay Pulse Contact output for batching applications			V